

**Components:**

- (1) Module support
- (2) Control unit with connection ports and control buttons
- (3) Mechanical mirror drive (PAN / TILT)
- (4) Base Plate

**Dimensions:** 811 x 305 x 287 mm (L/W/H)  
**Weight:** 6,6 kg

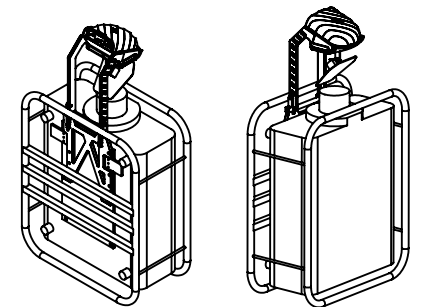
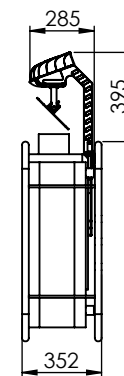
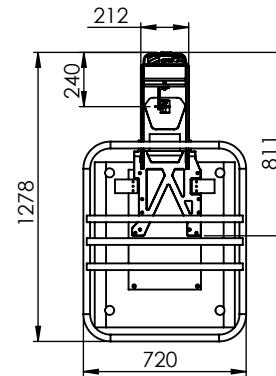
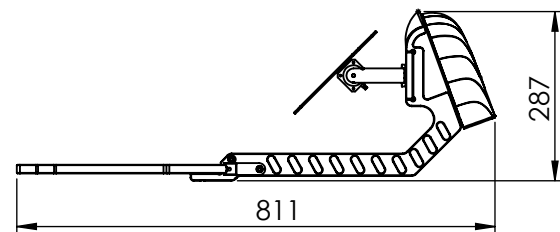
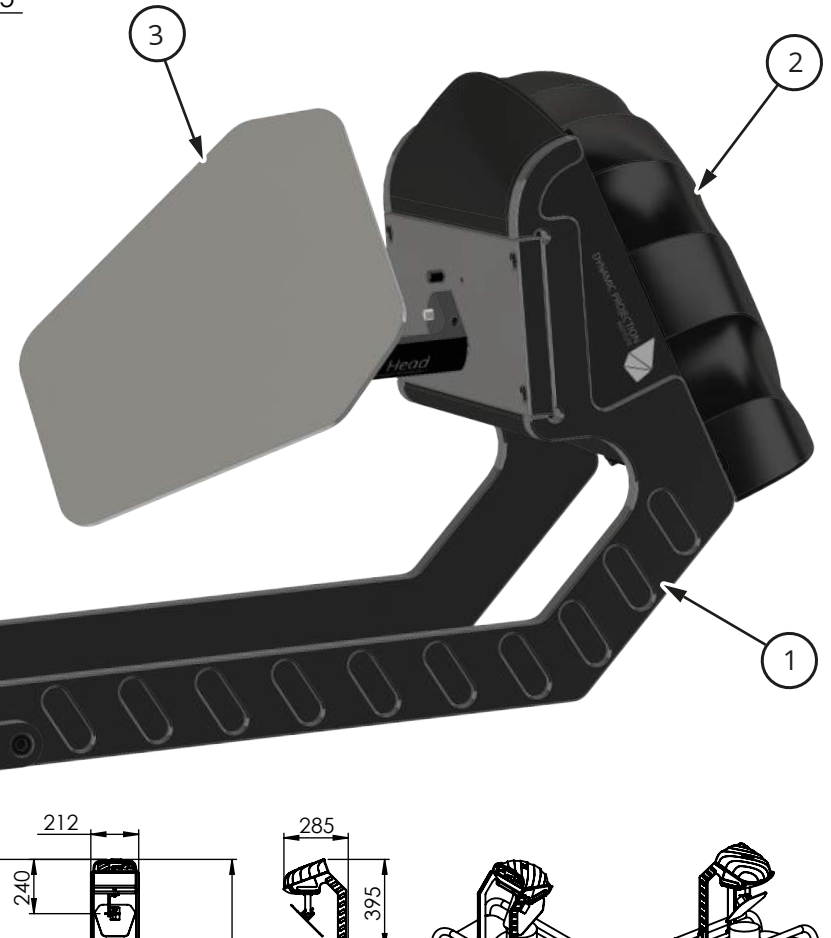
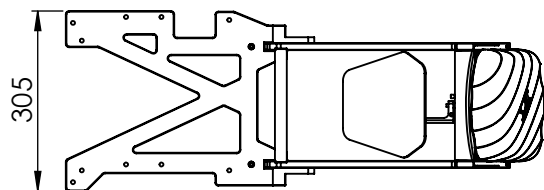


Figure with Panasonic PT-DZ21K and Lang AG ET-RFD21 frame



DYNAMIC PROJECTION  
INSTITUTE

office@dynamicprojection.com - www.dynamicprojection.com

Mirror Head 14 - PRELIMINARY

#TheMH14

2016-10-03